



LED RECESSED & RETROFIT LIGHTS

*The future
of urban lighting*



PRODUCT PRESENTATION | 2023

WWW.ASD-LIGHTING.COM

LED RECESSED & RETROFIT LIGHTS

APPLICATION

These lights are a perfect residential solution for family rooms, bedrooms, hallways, corridors, kitchens, garages or any other common areas in your living space. The fixtures are Wet locations rated, making them suitable for spaces with humidity requirements.

ENERGY SAVINGS & EFFICIENCY

With a lifespan of 54,000 hours, these fixtures are made to last decades under normal operation!

CERTIFICATION & WARRANTY

ASD provides a 5-year limited warranty along with UL and Energy Star certifications to guarantee top quality products and safety!



*The future
of urban lighting*





LED RECESSED & RETROFIT LIGHTS



LED RECESSED MINI PANEL
page 5



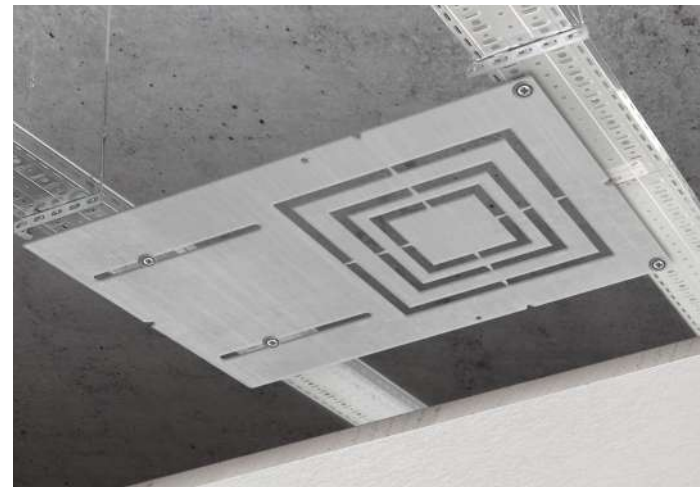
LED RECESSED MINI PANEL GIMBAL
page 7



LED FIRE RATED RECESSED MINI PANEL
page 9



LED RECESSED GIMBAL
page 10



NEW CONSTRUCTION MOUNTING PLATE
page 11



LED DOWNLIGHT RETROFIT KIT
page 13



LED DOWNLIGHT RETROFIT KIT GIMBAL
page 15

CANLESS LED RECESSED LIGHTS

LED RECESSED MINI PANEL has a low-profile design. 110° beam angle and CRI90+ grants you even light.



NO CAN REQUIRED

Included J-box requires only 2" of ceiling space, and the fixture is IC rated, no can required.

COLOR SELECTABLE

You can choose either a 2700K soft white, 3000K warm white, 3500K neutral white, 4000K cool white, or 5000K daylight color temperature.

SMOOTH TRIAC DIMMING

Smooth triac dimming capabilities ranging from 10% to 100%.

LED RECESSED MINI PANEL



JBR ROUND

Low-profile design is ideal for low ceilings. Canless solution along with a plug & twist connector and spring-loaded clips makes the installation quick and easy.



PRODUCT SIZES

3", 4", 6", 8", 12"



AVAILABLE POWER

6W, 12W, 15W, 20W, 24W



COLOR SELECTABLE

2700K, 3000K, 3500K, 4000K, 5000K



LOW-PROFILE DESIGN IS AN IDEAL SOLUTION FOR LOW CEILINGS



CRI90+ RICH AND NATURAL COLORS



5 COLOR TEMPERATURE OPTIONS



IC RATED CANLESS SOLUTION



WHITE



NICKEL



BRONZE



BLACK



120V voltage



Wet locations

LED RECESSED MINI PANEL

JBS SQUARE

Low-profile design is ideal for low ceilings. Canless solution along with a plug & twist connector and spring-loaded clips makes the installation quick and easy.



PRODUCT SIZES

3", 4", 6", 8", 12"



AVAILABLE POWER

6W, 12W, 15W, 20W, 24W



COLOR SELECTABLE

2700K, 3000K, 3500K, 4000K, 5000K



LOW-PROFILE DESIGN IS AN IDEAL SOLUTION FOR LOW CEILINGS



CR190+ RICH AND NATURAL COLORS



5 COLOR TEMPERATURE OPTIONS



IC RATED CANLESS SOLUTION



WHITE



NICKEL



BRONZE



BLACK



120V voltage



Wet locations

LED RECESSED MINI PANEL

JBR-GB GIMBAL

Low-profile design and up to 25° vertical rotation is ideal for low or sloped ceilings and directional lighting. Canless solution along with a plug & twist connector and spring-loaded clips makes the installation quick and easy.



PRODUCT SIZES

3", 4", 6"



AVAILABLE POWER

6W, 12W, 15W



COLOR SELECTABLE

2700K, 3000K, 3500K, 4000K, 5000K



SWIVEL LENS WITH 25° TILT AND 355° ROTATION FOR DIRECTIONAL LIGHT CONTROL



CRI90+ RICH AND NATURAL COLORS



5 COLOR TEMPERATURE OPTIONS



IC RATED CANLESS SOLUTION



WHITE



120V voltage



Wet locations

LED RECESSED MINI PANEL

JBR-GBA GIMBAL AIRTIGHT

LED Round Mini panel Gimbal with up to 25° vertical rotation is an ideal solution for sloped ceilings and directional lighting. Canless design along with a plug & twist connector and spring-loaded clips make this fixture a versatile choice for your living space. 110° beam angle and CRI90+ grants you even light.



**PRODUCT
SIZES**

3", 4", 6"



**AVAILABLE
POWER**

6W, 12W, 15W



**COLOR
SELECTABLE**

2700K, 3000K, 3500K, 4000K, 5000K



**SWIVEL LENS WITH 25° TILT AND 355° ROTATION
FOR DIRECTIONAL LIGHT CONTROL**



**CRI90+
RICH AND NATURAL COLORS**



**5 COLOR TEMPERATURE
OPTIONS**



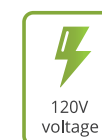
**AIR TIGHT AND IC RATED
CANLESS SOLUTION**



WHITE



BLACK



120V
voltage



**AIR
TIGHT**



Wet
locations

FIRE RATED CANLESS LED RECESSED LIGHTS

JFR FIRE RATED

Low-profile design is ideal for low ceilings. The fixture has a reinforced and heat resistant steel body. Canless solution along with a plug & twist connector and spring-loaded clips makes the installation quick and easy. Additionally, our fire rated fixtures are tested to comply with UL 263, ASTM E119 and CAN ULC S101.



PRODUCT SIZES

4", 6"



AVAILABLE POWER

12W, 15W



COLOR SELECTABLE

2700K, 3000K, 3500K, 4000K, 5000K



2-HOUR FIRE RESISTANCE DUE TO REINFORCED AND HEAT RESISTANT STEEL BODY



HEAVY DUTY COMMERCIAL GRADE SPRING CLIPS WITH INCREASED HEIGHT



AIR TIGHT AND IC RATED CANLESS SOLUTION



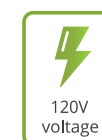
CR190+ RICH AND NATURAL COLORS



WHITE



2 hour fire rating



120V voltage



AIR TIGHT



Wet locations



HEAVY DUTY COMMERCIAL GRADE SPRING CLIP TO BE INSTALLED IN CEILINGS UP TO 1-3/4" THICK



REINFORCED AND HEAT-RESISTANT STEEL BODY

LED RECESSED GIMBAL

LGBR

Low-profile design and up to 25° vertical rotation is perfect for low or sloped ceilings and directional lighting.

Canless solution along with a plug & twist connector and spring-loaded clips makes the installation quick and easy.



PRODUCT SIZES

3", 4"



AVAILABLE POWER

7W, 12W



COLOR SELECTABLE

3000K, 4000K, 5000K



SWIVEL LENS WITH 25° TILT FOR DIRECTIONAL LIGHT CONTROL



SPRING-LOADED CLIPS ENSURE A SNUG FIT



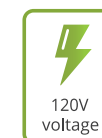
3 COLOR TEMPERATURE OPTIONS



IC RATED CANLESS SOLUTION



WHITE



120V
voltage



Damp
locations

25°



NEW CONSTRUCTION MOUNTING PLATE

NEW CONSTRUCTION MOUNTING PLATES are a universal and handy solution for new construction. Included mounting holes and 14-25" tracks mean these plates will fit perfectly in many different structural layouts.



PRODUCT SIZES

3", 4", 6", 8", 10", 12"



MOUNTING HOLES

Round, Square



OPTIONS FOR 3 INCH, 4 INCH, 6 INCH, 8 INCH, 10 INCH AND 12 INCH RECESSED LIGHTS



J-BOX POSITION CAN BE SECURED

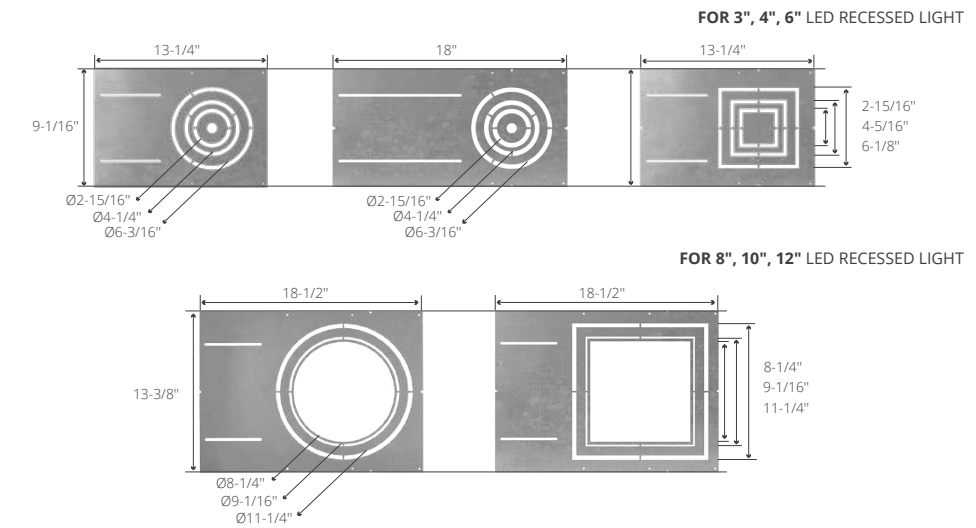
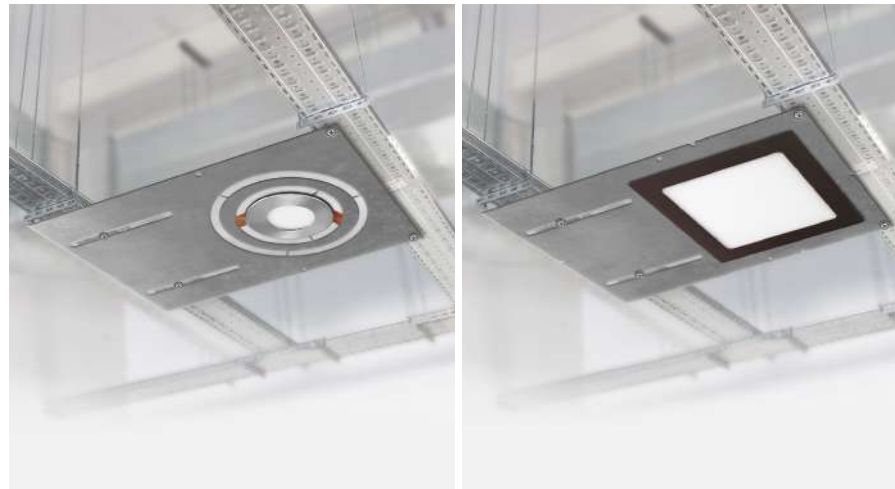


ALIGNMENT NOTCHES FOR EASY ALIGNMENT OF MULTIPLE PLATES

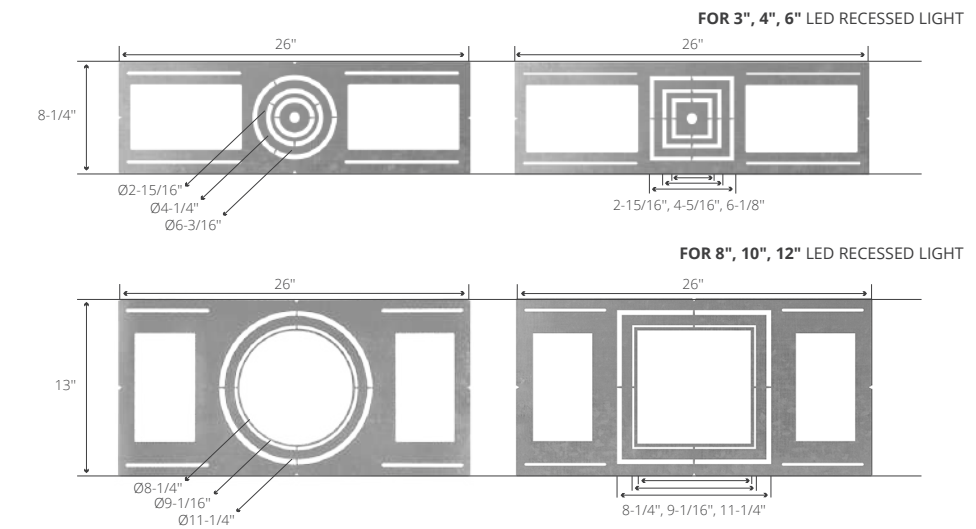
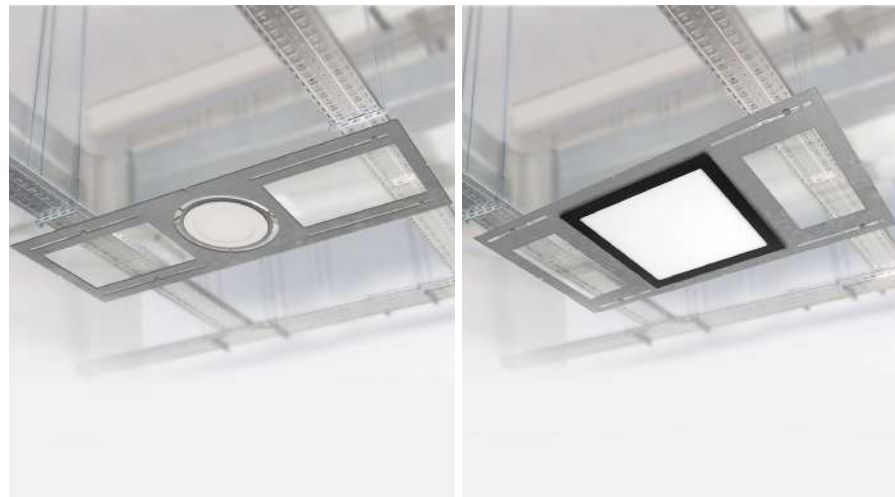


DURABLE HOUSING RESISTANT TO RUST AND IMPACT

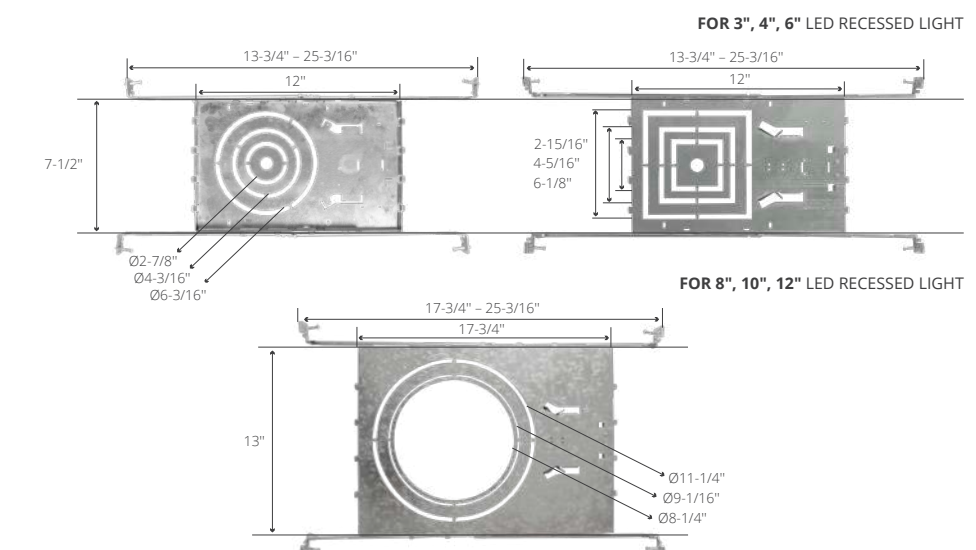
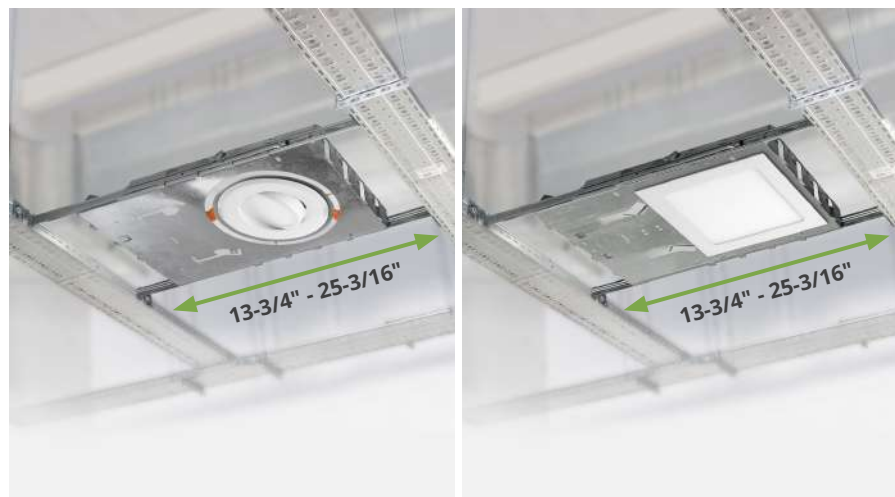
MPL ASYMMETRIC HOLE



MPL SYMMETRIC HOLE



MPL SLIDING CLIPS



LED DOWNLIGHT RETROFIT KIT

LED DOWNLIGHT RETROFIT KIT has a low-profile design with a baffle trim. 105° beam angle and CRI90+ grants you even light.



TP24 AND E26 CONNECTORS

The fixture includes TP24 and E26 connectors, that making it suitable for most new construction, remodeling, and shallow recessed lighting housings.

COLOR SELECTABLE

You can choose either a 2700K soft white, 3000K warm white, 3500K neutral white, 4000K cool white, or 5000K daylight color temperature.

SMOOTH TRIAC DIMMING

Smooth triac dimming capabilities ranging from 10% to 100%.

LED DOWNLIGHT RETROFIT KIT

LRKR ROUND

Classic, low-profile design with a baffle trim allows you to have a stylish look with efficient lighting. The preinstalled TP24 and E26 connectors and spring-loaded clips make installation quick and easy.

PRE-INSTALLED
TP24 & E26
CONNECTORS



**PRODUCT
SIZES**

4", 5 - 6"



**AVAILABLE
POWER**

8.6W, 12W



**COLOR
SELECTABLE**

2700K, 3000K, 3500K, 4000K, 5000K



**PREINSTALLED TP24 AND E26 CONNECTORS
FOR EASY INSTALLATION**



**CRI90+
RICH AND NATURAL COLORS**



**5 COLOR
TEMPERATURE OPTIONS**



**WET LOCATIONS
RATED**



WHITE



BRONZE



BLACK



120V
voltage

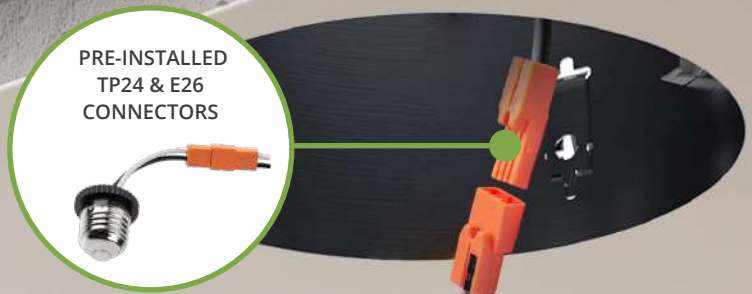


Wet
locations

LED DOWNLIGHT RETROFIT KIT

LRKS SQUARE

Classic, low-profile design with a baffle trim allows you to have a stylish look with efficient lighting. The preinstalled TP24 and E26 connectors and spring-loaded clips make installation quick and easy.



PRODUCT SIZES

4", 6"



AVAILABLE POWER

8.6W, 12W



COLOR SELECTABLE

2700K, 3000K, 3500K, 4000K, 5000K



PREINSTALLED TP24 AND E26 CONNECTORS FOR EASY INSTALLATION



CRI90+ RICH AND NATURAL COLORS



5 COLOR TEMPERATURE OPTIONS



WET LOCATIONS RATED



WHITE



BRONZE



BLACK



120V voltage



Wet locations

LED DOWNLIGHT RETROFIT KIT GIMBAL

PRE-INSTALLED
TP24 & E26
CONNECTORS



25°

LRK-GBR GIMBAL

Classic, low-profile design along with 25° swivel lens is a perfect solution for sloped ceilings and directional lighting. The preinstalled TP24 and E26 connectors and spring-loaded clips make installation quick and easy.



**PRODUCT
SIZES**

4", 6"



**AVAILABLE
POWER**

10W, 15W



**COLOR
SELECTABLE**

2700K, 3000K, 3500K, 4000K, 5000K



**SWIVEL LENS WITH 25° TILT
FOR DIRECTIONAL LIGHT CONTROL**



**PREINSTALLED TP24 AND E26 CONNECTORS
FOR EASY INSTALLATION**



**CRI90+
RICH AND NATURAL COLORS**



**WET LOCATIONS
RATED**



WHITE



BRONZE



BLACK



120V
voltage



Wet
locations



LED RECESSED & RETROFIT LIGHTS



LED ROUND RECESSED MINI PANEL

Model	Size	Watts	Input Voltage	Dimmable	CCT	lm	Finish	Dimensions DxH	Pcs. per Carton	Certification
ASD-JBR-3D6AC-WH-6PACK	3"	6	120 V	Triac	2,700K / 3,000K / 3,500K / 4,000K / 5,000K	420 / 445 / 460 / 455 / 436lm	White	3-1/4" x 5-8"	2	UL / Energy Star
ASD-JBR-3D6AC-NK-6PACK	3"	6	120 V	Triac	2,700K / 3,000K / 3,500K / 4,000K / 5,000K	420 / 445 / 460 / 455 / 436lm	Nickel	3-1/4" x 5-8"	2	UL / Energy Star
ASD-JBR-3D6AC-BZ-6PACK	3"	6	120 V	Triac	2,700K / 3,000K / 3,500K / 4,000K / 5,000K	420 / 445 / 460 / 455 / 436lm	Bronze	3-1/4" x 5-8"	2	UL / Energy Star
ASD-JBR-3D6AC-BK-6PACK	3"	6	120 V	Triac	2,700K / 3,000K / 3,500K / 4,000K / 5,000K	420 / 445 / 460 / 455 / 436lm	Black	3-1/4" x 5-8"	2	UL / Energy Star
ASD-JBR-4D12AC-WH-6PACK	4"	12	120 V	Triac	2,700K / 3,000K / 3,500K / 4,000K / 5,000K	780 / 839 / 893 / 861 / 860lm	White	4-11/16" x 5/8"	2	UL / Energy Star
ASD-JBR-4D12AC-WH-12PACK	4"	12	120 V	Triac	2,700K / 3,000K / 3,500K / 4,000K / 5,000K	780 / 839 / 893 / 861 / 860lm	White	4-11/16" x 5/8"	2	UL / Energy Star
ASD-JBR-4D12AC-NK-6PACK	4"	12	120 V	Triac	2,700K / 3,000K / 3,500K / 4,000K / 5,000K	780 / 839 / 893 / 861 / 860lm	Nickel	4-11/16" x 5/8"	2	UL / Energy Star
ASD-JBR-4D12AC-BZ-6PACK	4"	12	120 V	Triac	2,700K / 3,000K / 3,500K / 4,000K / 5,000K	780 / 839 / 893 / 861 / 860lm	Bronze	4-11/16" x 5/8"	2	UL / Energy Star
ASD-JBR-4D12AC-BK-6PACK	4"	12	120 V	Triac	2,700K / 3,000K / 3,500K / 4,000K / 5,000K	780 / 839 / 893 / 861 / 860lm	Black	4-11/16" x 5/8"	2	UL / Energy Star
ASD-JBR-6D15AC-WH-6PACK	6"	15	120 V	Triac	2,700K / 3,000K / 3,500K / 4,000K / 5,000K	1100 / 1137 / 1225 / 1153 / 1094lm	White	6-5/8" x 5/8"	2	UL / Energy Star
ASD-JBR-6D15AC-WH-12PACK	6"	15	120 V	Triac	2,700K / 3,000K / 3,500K / 4,000K / 5,000K	1100 / 1137 / 1225 / 1153 / 1094lm	White	6-5/8" x 5/8"	2	UL / Energy Star
ASD-JBR-6D15AC-NK-6PACK	6"	15	120 V	Triac	2,700K / 3,000K / 3,500K / 4,000K / 5,000K	1100 / 1137 / 1225 / 1153 / 1094lm	Nickel	6-5/8" x 5/8"	2	UL / Energy Star
ASD-JBR-6D15AC-BZ-6PACK	6"	15	120 V	Triac	2,700K / 3,000K / 3,500K / 4,000K / 5,000K	1100 / 1137 / 1225 / 1153 / 1094lm	Bronze	6-5/8" x 5/8"	2	UL / Energy Star
ASD-JBR-6D15AC-BK-6PACK	6"	15	120 V	Triac	2,700K / 3,000K / 3,500K / 4,000K / 5,000K	1100 / 1137 / 1225 / 1153 / 1094lm	Black	6-5/8" x 5/8"	2	UL / Energy Star
ASD-JBR-8D20AC-WH	8"	20	120 V	Triac	2,700K / 3,000K / 3,500K / 4,000K / 5,000K	1600 / 1650 / 1688 / 1746 / 1633lm	White	8-11/16" x 5/8"	4	UL / Energy Star
ASD-JBR-8D20AC-BK	8"	20	120 V	Triac	2,700K / 3,000K / 3,500K / 4,000K / 5,000K	1600 / 1650 / 1688 / 1746 / 1633lm	Black	8-11/16" x 5/8"	4	UL / Energy Star
ASD-JBR-12D24AC-WH	12"	24	120 V	Triac	2,700K / 3,000K / 3,500K / 4,000K / 5,000K	1950 / 2142 / 2138 / 2169 / 2077lm	White	11-5/8" x 5/8"	4	UL / Energy Star
ASD-JBR-12D24AC-BK	12"	24	120 V	Triac	2,700K / 3,000K / 3,500K / 4,000K / 5,000K	1950 / 2142 / 2138 / 2169 / 2077lm	Black	11-5/8" x 5/8"	4	UL / Energy Star



LED SQUARE RECESSED MINI PANEL

Model	Size	Watts	Input Voltage	Dimmable	CCT	lm	Finish	Dimensions LxWxH	Pcs. per Carton	Certification
ASD-JBS-3D6AC-WH-6PACK	3"	6	120 V	Triac	2,700K / 3,000K / 3,500K / 4,000K / 5,000K	420 / 442 / 456 / 445 / 430lm	White	3-1/4" x 3-1/4" x 9/16"	2	UL / Energy Star
ASD-JBS-3D6AC-NK-6PACK	3"	6	120 V	Triac	2,700K / 3,000K / 3,500K / 4,000K / 5,000K	420 / 442 / 456 / 445 / 430lm	Nickel	3-1/4" x 3-1/4" x 9/16"	2	UL / Energy Star
ASD-JBS-3D6AC-BZ-6PACK	3"	6	120 V	Triac	2,700K / 3,000K / 3,500K / 4,000K / 5,000K	420 / 442 / 456 / 445 / 430lm	Bronze	3-1/4" x 3-1/4" x 9/16"	2	UL / Energy Star
ASD-JBS-3D6AC-BK-6PACK	3"	6	120 V	Triac	2,700K / 3,000K / 3,500K / 4,000K / 5,000K	420 / 442 / 456 / 445 / 430lm	Black	3-1/4" x 3-1/4" x 9/16"	2	UL / Energy Star
ASD-JBS-4D12AC-WH-6PACK	4"	12	120 V	Triac	2,700K / 3,000K / 3,500K / 4,000K / 5,000K	750 / 767 / 736 / 784 / 750lm	White	4-5/8" x 4-5/8" x 9/16"	2	UL / Energy Star
ASD-JBS-4D12AC-NK-6PACK	4"	12	120 V	Triac	2,700K / 3,000K / 3,500K / 4,000K / 5,000K	750 / 767 / 736 / 784 / 750lm	Nickel	4-5/8" x 4-5/8" x 9/16"	2	UL / Energy Star
ASD-JBS-4D12AC-BZ-6PACK	4"	12	120 V	Triac	2,700K / 3,000K / 3,500K / 4,000K / 5,000K	750 / 767 / 736 / 784 / 750lm	Bronze	4-5/8" x 4-5/8" x 9/16"	2	UL / Energy Star
ASD-JBS-4D12AC-BK-6PACK	4"	12	120 V	Triac	2,700K / 3,000K / 3,500K / 4,000K / 5,000K	750 / 767 / 736 / 784 / 750lm	Black	4-5/8" x 4-5/8" x 9/16"	2	UL / Energy Star
ASD-JBS-6D15AC-WH-6PACK	6"	15	120 V	Triac	2,700K / 3,000K / 3,500K / 4,000K / 5,000K	1050 / 1117 / 1197 / 1144 / 1095lm	White	6-9/16" x 6-9/16" x 9/16"	2	UL / Energy Star
ASD-JBS-6D15AC-NK-6PACK	6"	15	120 V	Triac	2,700K / 3,000K / 3,500K / 4,000K / 5,000K	1050 / 1117 / 1197 / 1144 / 1095lm	Nickel	6-9/16" x 6-9/16" x 9/16"	2	UL / Energy Star
ASD-JBS-6D15AC-BZ-6PACK	6"	15	120 V	Triac	2,700K / 3,000K / 3,500K / 4,000K / 5,000K	1050 / 1117 / 1197 / 1144 / 1095lm	Bronze	6-9/16" x 6-9/16" x 9/16"	2	UL / Energy Star
ASD-JBS-6D15AC-BK-6PACK	6"	15	120 V	Triac	2,700K / 3,000K / 3,500K / 4,000K / 5,000K	1050 / 1117 / 1197 / 1144 / 1095lm	Black	6-9/16" x 6-9/16" x 9/16"	2	UL / Energy Star
ASD-JBS-8D20AC-WH	8"	20	120 V	Triac	2,700K / 3,000K / 3,500K / 4,000K / 5,000K	1550 / 1694 / 1743 / 1721 / 1654lm	White	8-11/16" x 8-11/16" x 9/16"	4	UL / Energy Star
ASD-JBS-8D20AC-BK	8"	20	120 V	Triac	2,700K / 3,000K / 3,500K / 4,000K / 5,000K	1550 / 1694 / 1743 / 1721 / 1654lm	Black	8-11/16" x 8-11/16" x 9/16"	4	UL / Energy Star
ASD-JBS-12D24AC-WH	12"	24	120 V	Triac	2,700K / 3,000K / 3,500K / 4,000K / 5,000K	1900 / 1932 / 2018 / 2006 / 2152lm	White	11-9/16" x 11-9/16" x 9/16"	4	UL / Energy Star
ASD-JBS-12D24AC-BK	12"	24	120 V	Triac	2,700K / 3,000K / 3,500K / 4,000K / 5,000K	1900 / 1932 / 2018 / 2006 / 2152lm	Black	11-9/16" x 11-9/16" x 9/16"	4	UL / Energy Star



LED RECESSED & RETROFIT LIGHTS



LED ROUND RECESSED MINI PANEL GIMBAL

Model	Size	Watts	Input Voltage	Dimmable	CCT	lm	Finish	Dimensions DxH	Pcs. per Carton	Certification
ASD-JBR-GB-3D6AC-WH-6PACK	3"	6	120 V	Triac	2,700K / 3,000K / 3,500K / 4,000K / 5,000K	435 / 449 / 463 / 461 / 443lm	White	3-15/16" x 1"	2	UL / Energy Star
ASD-JBR-GB-4D12AC-WH-6PACK	4"	12	120 V	Triac	2,700K / 3,000K / 3,500K / 4,000K / 5,000K	777 / 803 / 842 / 793 / 795lm	White	5-1/8" x 1"	2	UL / Energy Star
ASD-JBR-GB-6D15AC-WH-6PACK	6"	15	120 V	Triac	2,700K / 3,000K / 3,500K / 4,000K / 5,000K	1085 / 1156 / 1232 / 1208 / 1184lm	White	7-5/16" x 1-1/4"	2	UL / Energy Star



LED ROUND RECESSED MINI PANEL GIMBAL AIRTIGHT

Model	Size	Watts	Input Voltage	Dimmable	CCT	lm	Finish	Dimensions DxH	Pcs. per Carton	Certification
ASD-JBR-GBA-3D6AC-WH-6PACK	3"	6	120 V	Triac	2,700K / 3,000K / 3,500K / 4,000K / 5,000K	435 / 449 / 463 / 461 / 443lm	White	3-15/16" x 1-1/2"	2	UL
ASD-JBR-GBA-3D6AC-BK-6PACK	3"	6	120 V	Triac	2,700K / 3,000K / 3,500K / 4,000K / 5,000K	435 / 449 / 463 / 461 / 443lm	Black	3-15/16" x 1-1/2"	2	UL
ASD-JBR-GBA-4D12AC-WH-6PACK	4"	12	120 V	Triac	2,700K / 3,000K / 3,500K / 4,000K / 5,000K	777 / 803 / 842 / 793 / 795lm	White	5-1/8" x 1-11/16"	2	UL
ASD-JBR-GBA-4D12AC-BK-6PACK	4"	12	120 V	Triac	2,700K / 3,000K / 3,500K / 4,000K / 5,000K	777 / 803 / 842 / 793 / 795lm	Black	5-1/8" x 1-11/16"	2	UL
ASD-JBR-GBA-6D15AC-WH-6PACK	6"	15	120 V	Triac	2,700K / 3,000K / 3,500K / 4,000K / 5,000K	1085 / 1156 / 1232 / 1208 / 1184lm	White	7-5/16" x 1-7/8"	2	UL
ASD-JBR-GBA-6D15AC-BK-6PACK	6"	15	120 V	Triac	2,700K / 3,000K / 3,500K / 4,000K / 5,000K	1085 / 1156 / 1232 / 1208 / 1184lm	Black	7-5/16" x 1-7/8"	2	UL



LED FIRE RATED ROUND RECESSED MINI PANEL

Model	Size	Watts	Input Voltage	Dimmable	CCT	lm	Finish	Dimensions DxH	Pcs. per Carton	Certification
ASD-JFR-4D12AC-WH	4"	12	120 V	Triac	2,700K / 3,000K / 3,500K / 4,000K / 5,000K	742 / 785 / 831 / 840 / 807lm	White	5" x 2"	12	ETL
ASD-JFR-6D15AC-WH	6"	15	120 V	Triac	2,700K / 3,000K / 3,500K / 4,000K / 5,000K	1086 / 1111 / 1162 / 1166 / 1119lm	White	6-7/8" x 2"	12	ETL

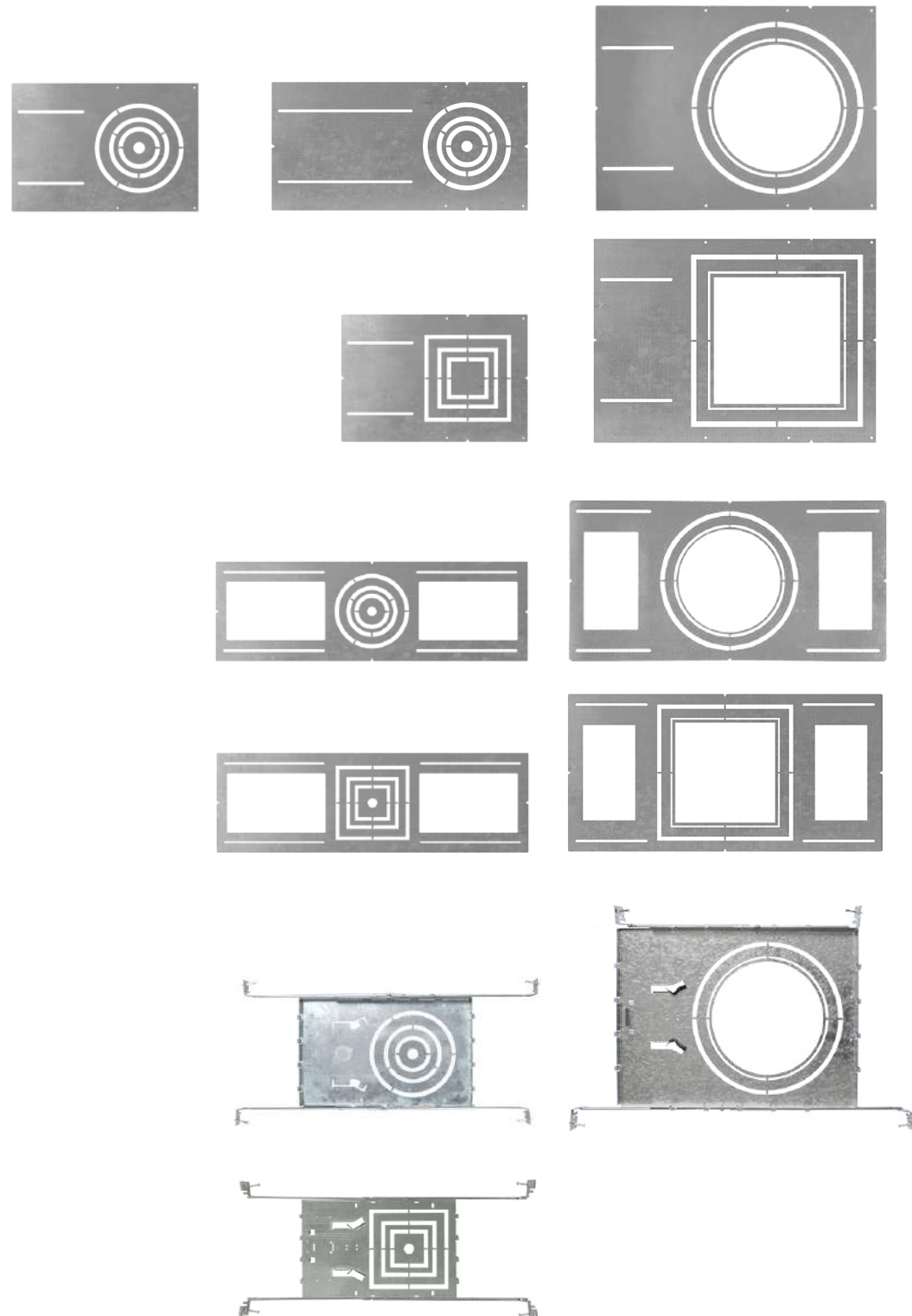
LED RECESSED GIMBAL



Model	Size	Watts	Input Voltage	Dimmable	CCT	lm	Finish	Dimensions DxH	Pcs. per Carton	Certification
ASD-LGBR-3D7CC-WH	3"	7	120 V	Triac	3,000K / 4,000K / 5,000K	490lm	White	3-3/8" x 1-3/4"	12	ETL
ASD-LGBR-4D12CC-WH	4"	12	120 V	Triac	3,000K / 4,000K / 5,000K	900lm	White	5-1/16" x 2-7/16"	12	ETL



LED RECESSED & RETROFIT LIGHTS



NEW CONSTRUCTION MOUNTING PLATE ASYMMETRIC HOLE

Model	Cut hole size	Dimensions LxWxH	Pcs. per Carton
ASD-MPLR-346-FA-6PACK	Round 3-4-6"	13-1/4" x 9-1/16" x 1/16"	4
ASD-MPLR18-346-FA-6PACK	Round 3-4-6"	18" x 9-1/16" x 1/16"	4
ASD-MPLR-81012-FA-6PACK	Round 8-10-12"	18-1/2" x 13-3/8" x 1/16"	4
ASD-MPLS-346-FA-6PACK	Square 3-4-6"	13-1/4" x 9-1/16" x 1/16"	4
ASD-MPLS-81012-FA-6PACK	Square 8-10-12"	18-1/2" x 13-3/8" x 1/16"	4

NEW CONSTRUCTION MOUNTING PLATE SYMMETRIC HOLE

Model	Cut hole size	Dimensions LxWxH	Pcs. per Carton
ASD-MPLR-346-FS-6PACK	Round 3-4-6"	26" x 8-1/4" x 1/16"	4
ASD-MPLR-81012-FS-6PACK	Round 8-10-12"	26" x 13" x 1/16"	4
ASD-MPLS-346-FS-6PACK	Square 3-4-6"	26" x 8-1/4" x 1/16"	4
ASD-MPLS-81012-FS-6PACK	Square 8-10-12"	26" x 13" x 1/16"	4

NEW CONSTRUCTION MOUNTING PLATE SLIDING CLIPS

Model	Cut hole size	Dimensions LxWxH	Pcs. per Carton
ASD-MPLR-346-SC-6PACK	Round 3-4-6"	14-3/8" x 10-9/16" x 1-5/8"	2
ASD-MPLR-81012-SC-6PACK	Round 8-10-12"	17-11/16" x 14-3/4" x 1-9/16"	2
ASD-MPLS-346-SC-6PACK	Square 3-4-6"	14-3/8" x 10-9/16" x 1-5/8"	2

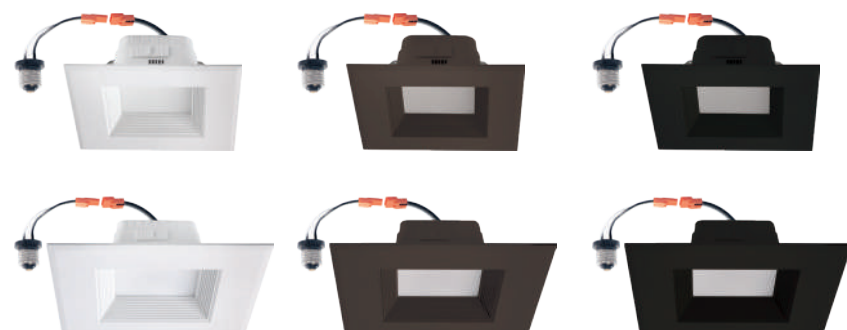


LED RECESSED & RETROFIT LIGHTS



LED ROUND DOWNLIGHT RETROFIT KIT

Model	Size	Watts	Input Voltage	Dimmable	CCT	lm	Finish	Dimensions DxH	Pcs. per Carton	Certification
ASD-LRKR-4D9AC-WH-6PACK	4"	8,6	120 V	Triac	2,700K / 3,000K / 3,500K / 4,000K / 5,000K	674 / 684 / 688 / 702 / 696lm	White	5-1/16" x 2"	2	UL
ASD-LRKR-4D9AC-WH-12PACK	4"	8,6	120 V	Triac	2,700K / 3,000K / 3,500K / 4,000K / 5,000K	674 / 684 / 688 / 702 / 696lm	White	5-1/16" x 2"	1	UL
ASD-LRKR-4D9AC-BZ-6PACK	4"	8,6	120 V	Triac	2,700K / 3,000K / 3,500K / 4,000K / 5,000K	674 / 684 / 688 / 702 / 696lm	Bronze	5-1/16" x 2"	2	UL
ASD-LRKR-4D9AC-BK-6PACK	4"	8,6	120 V	Triac	2,700K / 3,000K / 3,500K / 4,000K / 5,000K	674 / 684 / 688 / 702 / 696lm	Black	5-1/16" x 2"	2	UL
ASD-LRKR-6D12AC-WH-6PACK	6"	12	120 V	Triac	2,700K / 3,000K / 3,500K / 4,000K / 5,000K	962 / 971 / 992 / 1009 / 996lm	White	7-5/16" x 3-7/16"	2	UL
ASD-LRKR-6D12AC-WH-12PACK	6"	12	120 V	Triac	2,700K / 3,000K / 3,500K / 4,000K / 5,000K	962 / 971 / 992 / 1009 / 996lm	White	7-5/16" x 3-7/16"	1	UL
ASD-LRKR-6D12AC-BZ-6PACK	6"	12	120 V	Triac	2,700K / 3,000K / 3,500K / 4,000K / 5,000K	962 / 971 / 992 / 1009 / 996lm	Bronze	7-5/16" x 3-7/16"	2	UL
ASD-LRKR-6D12AC-BK-6PACK	6"	12	120 V	Triac	2,700K / 3,000K / 3,500K / 4,000K / 5,000K	962 / 971 / 992 / 1009 / 996lm	Black	7-5/16" x 3-7/16"	2	UL



LED SQUARE DOWNLIGHT RETROFIT KIT

Model	Size	Watts	Input Voltage	Dimmable	CCT	lm	Finish	Dimensions LxWxH	Pcs. per Carton	Certification
ASD-LRKS-4D9AC-WH-6PACK	4"	8,6	120 V	Triac	2,700K / 3,000K / 3,500K / 4,000K / 5,000K	662 / 674 / 677 / 709 / 691lm	White	5" x 5" x 2-1/16"	2	UL
ASD-LRKS-4D9AC-BZ-6PACK	4"	8,6	120 V	Triac	2,700K / 3,000K / 3,500K / 4,000K / 5,000K	662 / 674 / 677 / 709 / 691lm	Bronze	5" x 5" x 2-1/16"	2	UL
ASD-LRKS-4D9AC-BK-6PACK	4"	8,6	120 V	Triac	2,700K / 3,000K / 3,500K / 4,000K / 5,000K	662 / 674 / 677 / 709 / 691lm	Black	5" x 5" x 2-1/16"	2	UL
ASD-LRKS-6D12AC-WH-6PACK	6"	12	120 V	Triac	2,700K / 3,000K / 3,500K / 4,000K / 5,000K	965 / 977 / 986 / 988 / 1023lm	White	7-5/16" x 7-5/16" x 1-7/8"	2	UL
ASD-LRKS-6D12AC-BZ-6PACK	6"	12	120 V	Triac	2,700K / 3,000K / 3,500K / 4,000K / 5,000K	965 / 977 / 986 / 988 / 1023lm	Bronze	7-5/16" x 7-5/16" x 1-7/8"	2	UL
ASD-LRKS-6D12AC-BK-6PACK	6"	12	120 V	Triac	2,700K / 3,000K / 3,500K / 4,000K / 5,000K	965 / 977 / 986 / 988 / 1023lm	Black	7-5/16" x 7-5/16" x 1-7/8"	2	UL



LED DOWNLIGHT RETROFIT KIT GIMBAL

Model	Size	Watts	Input Voltage	Dimmable	CCT	lm	Finish	Dimensions DxH	Pcs. per Carton	Certification
ASD-LRK-GBR-4D10AC-WH-6PACK	4"	10	120 V	Triac	2,700K / 3,000K / 3,500K / 4,000K / 5,000K	650 / 771 / 846 / 860 / 841lm	White	5-3/8" x 2-13/16"	2	UL / Energy Star
ASD-LRK-GBR-4D10AC-BZ-6PACK	4"	10	120 V	Triac	2,700K / 3,000K / 3,500K / 4,000K / 5,000K	650 / 771 / 846 / 860 / 841lm	Bronze	5-3/8" x 2-13/16"	2	UL / Energy Star
ASD-LRK-GBR-4D10AC-BK-6PACK	4"	10	120 V	Triac	2,700K / 3,000K / 3,500K / 4,000K / 5,000K	650 / 771 / 846 / 860 / 841lm	Black	5-3/8" x 2-13/16"	2	UL / Energy Star
ASD-LRK-GBR-6D15AC-WH-6PACK	6"	15	120 V	Triac	2,700K / 3,000K / 3,500K / 4,000K / 5,000K	1100 / 1243 / 1310 / 1308 / 1221lm	White	7-11/16" x 3-1/16"	2	UL / Energy Star
ASD-LRK-GBR-6D15AC-BZ-6PACK	6"	15	120 V	Triac	2,700K / 3,000K / 3,500K / 4,000K / 5,000K	1100 / 1243 / 1310 / 1308 / 1221lm	Bronze	7-11/16" x 3-1/16"	2	UL / Energy Star
ASD-LRK-GBR-6D15AC-BK-6PACK	6"	15	120 V	Triac	2,700K / 3,000K / 3,500K / 4,000K / 5,000K	1100 / 1243 / 1310 / 1308 / 1221lm	Black	7-11/16" x 3-1/16"	2	UL / Energy Star



SINCE 1999

ASD LIGHTING CORP



ASD Lighting Corp has become one of the leading LED lighting brands in the United States for commercial and residential applications.

QUALITY

For the production of ASD Luminaires we carefully choose the highest quality components to ensure efficiency and longevity.



LOGISTICS

We are constantly improving our warehouse system so that delivery and storage of ASD products is not only profitable but fast and convenient.

